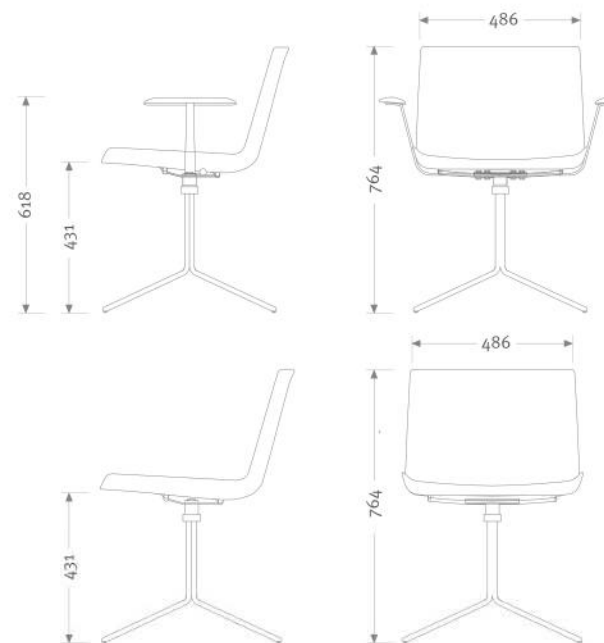




DIMENSIONS



OPTIONS

- Possibility of seat and backrest upholstered model with 35 kg/m³ density polyurethane foam.
- Possibility of chrome structure
- Possibility of manufacturing the chair with fireproof upholstery.

FINISHES

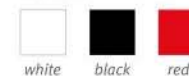
STRUCTURE



ARMRESTS



FRAMES



UPHOLSTERY



CERTIFICATES



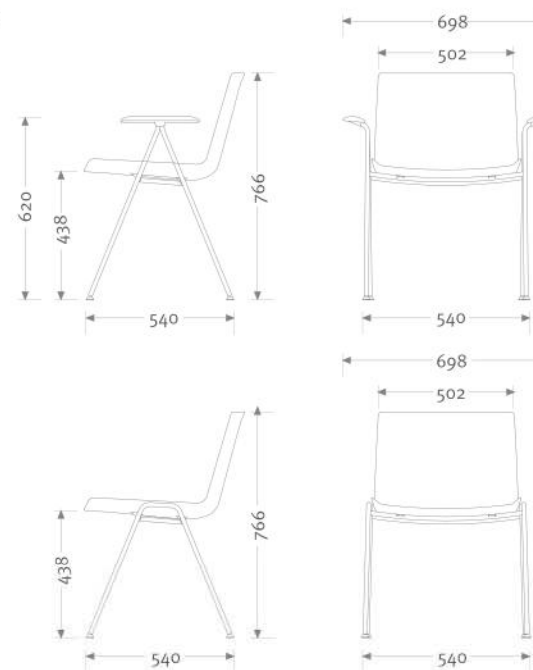
Armrest cover in recyclable injected polypropylene.

Seat and backrest frame in recyclable injected polypropylene.



Structure: 14x2 mm steel tube.

DIMENSIONS



OPTIONS

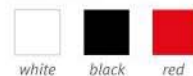
- Possibility of seat and backrest upholstered model with 35 kg/m3 density polyurethane foam.
- Possibility of chrome structure
- Up to six units can be stacked, without armrests, with armrests and even with a writing pad.
- Possibility of manufacturing the chair with fireproof upholstery.

FINISHES

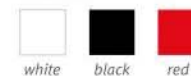
STRUCTURE



ARMRESTS



FRAMES



UPHOLSTERY



CERTIFICATES



NEXA PROGRAMA

5 spokes

Armrest cover in recyclable injected polypropylene.

Seat and backrest frame in recyclable injected polypropylene.



Chrome steel base, with rotation system.

DIMENSIONS



FEATURES AND EQUIPMENT

- Equipped with gas cylinder height regulation as standard.
- Rotation system.
- Soft black casters with grey strip.

OPTIONS

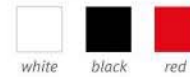
- Possibility of seat and backrest upholstered model with 35 kg/m3 density polyurethane foam.
- Fixed black caps.
- Black casters with soft or hard tread.
- Automatic return mechanism with support caps. (this option does not have seat height adjustment available).

FINISHES

STRUCTURE



ARMRESTS



FRAMES



CERTIFICATES



UPHOLSTERY



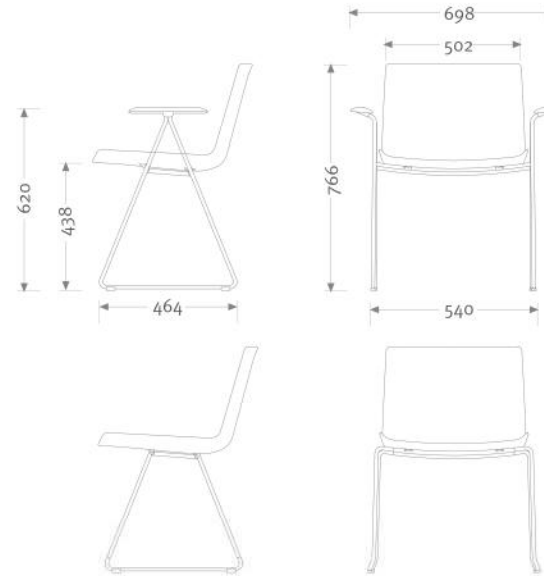
Seat and backrest frame in recyclable injected polypropylene.

Armrest cover in recyclable injected polypropylene.



Structure: 12 mm steel rod, with rotation mechanism.

DIMENSIONS



OPTIONS

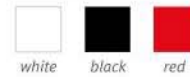
- Possibility of seat and backrest upholstered model with 35 kg/m³ density polyurethane foam.
- Possibility of chrome structure
- Possibility of manufacturing the chair with fireproof upholstery.

FINISHES

STRUCTURE



ARMRESTS



FRAMES



UPHOLSTERY



CERTIFICATES





DIMENSIONS

MODEL	L	W	B
row seating 5 seats	2488	2764	2665
row seating 4 seats	1948	2224	2125
row seating 3 seats	1408	1648	1585
row seating 2 seats	868	1144	1045

OPTIONS

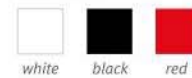
- Armrests at the ends of the row seating.
- Intermediate armrests.
- Seats in fireproof polypropylene. for upholstered models: seat and back rest cushions with 35 kg/m³ density polyurethane foam
- Small intermediate table made in 12 mm thick phenolic laminate with inverted aeroplane wing edge on the four sides.

FINISHES

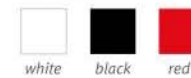
STRUCTURE



ARMRESTS



FRAMES



UPHOLSTERY



CERTIFICADOS

